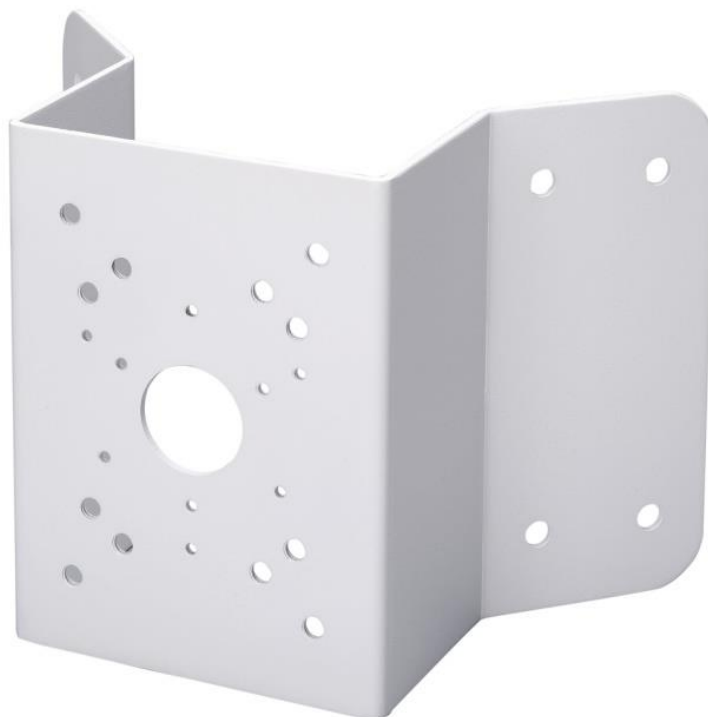


DH-PFA151

Corner Mount Bracket



Features

- Material: SECC
- Corner mount bracket
- Aesthetic design

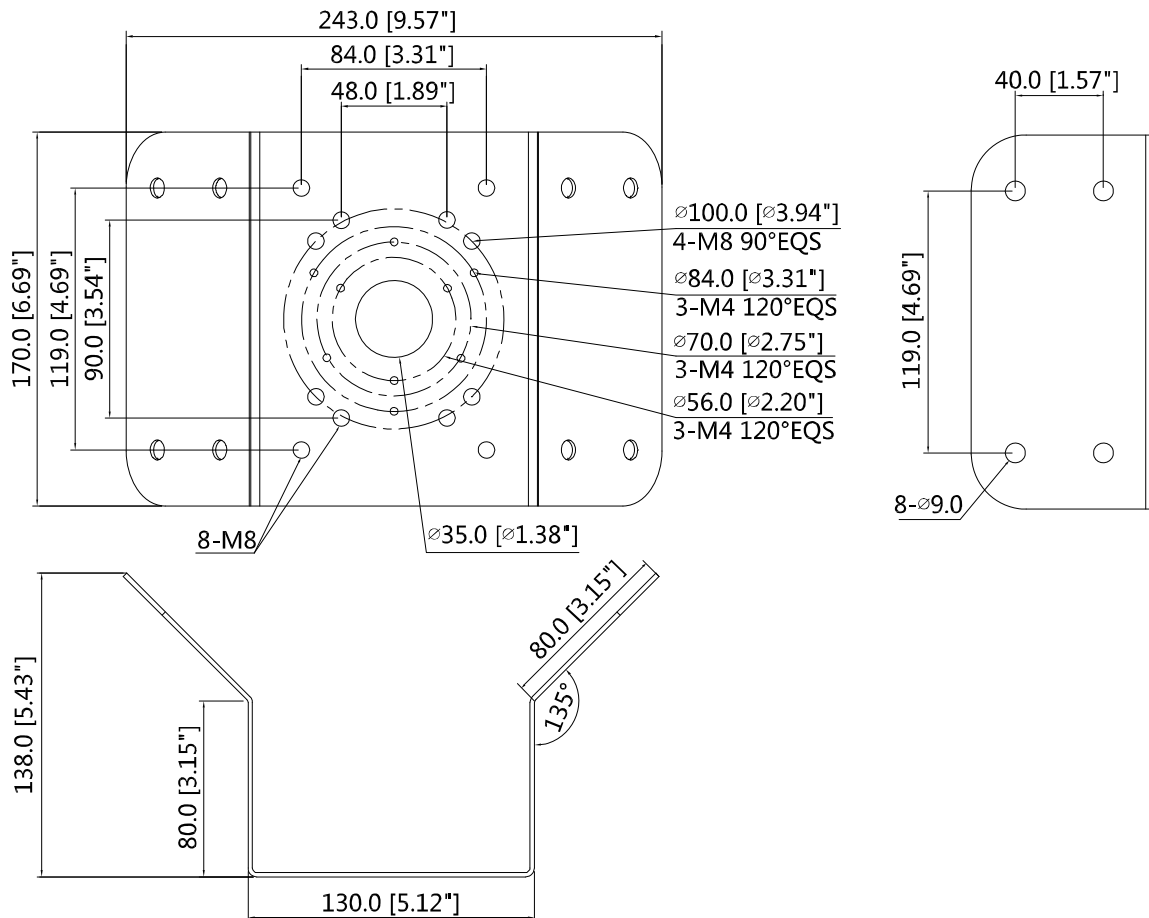
Technical Specifications

| | |
|-----------------------|---------------------------------------|
| Model | DH-PFA151 |
| General | |
| Material | SECC |
| Dimension(WxHxD) | 243mmx170mmx138mm (9.57"x6.69"x5.43") |
| Pipe Thread | N/A |
| Operating Temperature | -40°C ~ +60°C (-40°F ~ +140°F) |
| Humidity | 0~90% RH |
| Load Bearing | 10.0kg(22.05lb) |
| Weight | 1.7kg(3.75lb) |
| Applicable Model | Please see "Accessory Selection" |

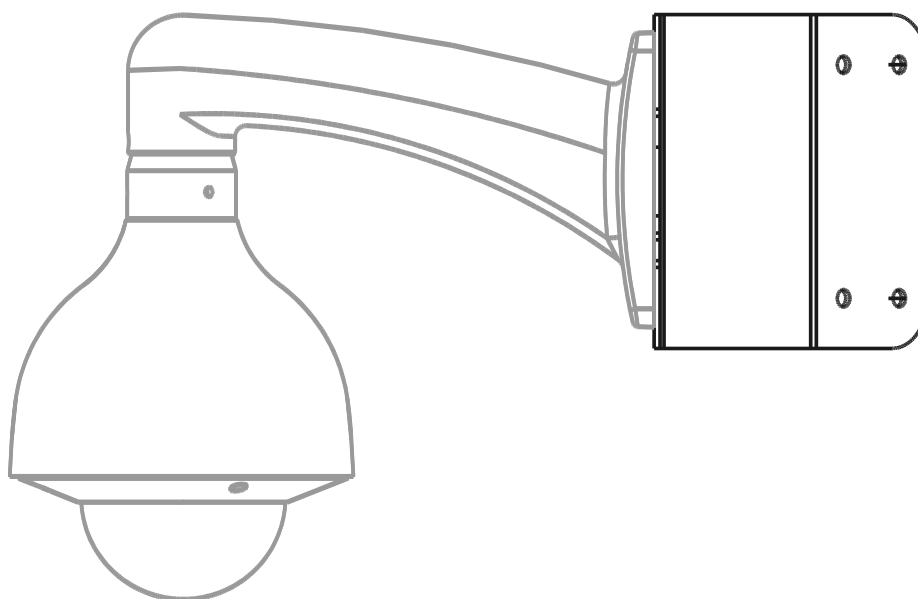
Order Information

| Type | Part Number | Description |
|--------------|-------------|----------------------|
| Camera Mount | DH-PFA151 | Corner mount bracket |
| | PFA151 | Corner mount bracket |

Dimensions (mm/inch)



Application



Package Information

- Corner mount bracket *1
- M8x25 screw *4
- Metal anchor *4
- Wrench *1