



EFace10

Linux-Based

Time & Attendance and Access Control Terminal
with Visible Light Facial Recognition



Proactive
Facial Recognition



New Height of
Anti-Spoofing



Speedy
Recognition



Wide Pose Angle
Acceptance



Touchless for
Better Hygiene

Compatible with
 ZKBio CVAccess



EFace10 is a touchless facial identification terminal featuring ZKTeco's innovative Visible Light Facial Recognition technology.

With the latest algorithm and Visible Light facial recognition technologies, the device will automatically perform recognition for a target in a long distance when it detects a human face in the detection distance to deliver better recognition quality in terms of speed and accuracy than the previous near-infrared facial recognition terminals.

With the applied Deep Learning algorithm, the pose angle tolerance and anti-spoofing ability against the dynamic environment and various spoofing attacks have been greatly enhanced.

Features

Visible Light facial recognition

Anti-spoofing algorithm against print attack (laser, color and B/W photos), videos attack and 3D mask attack

Multiple verification methods: Face / Password / Card

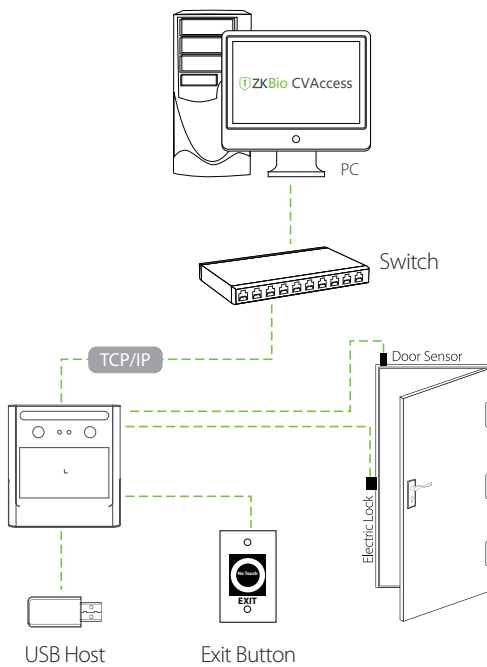
Card modules : 125KHz ID Card (EM)

Backup rechargeable battery : offers at least 2 hours of power on a full charge, and it takes 4 hours to recharge

Specifications

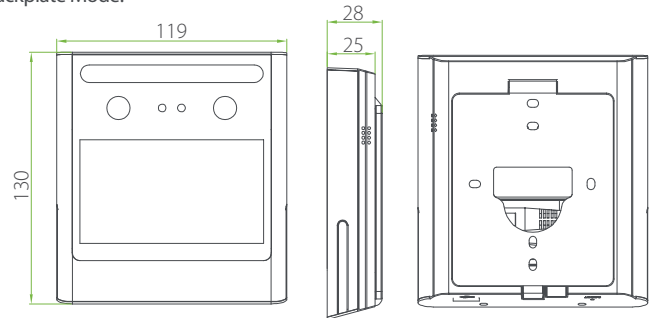
Display	4.3-inch Touch Screen
Face Capacity	1,500
User Capacity	1,500
Card Capacity	1500
Transactions	150,000
Communication	TCP/IP, USB Host
Standard Functions	ADMS, Work Code, DST, Self-service Query, Automatic Status Switch, T9 Input, Camera, 14-digit User ID, Multiple Verification Methods
Hardware	1GHz Dual-Core CPU, 256MB RAM / 512MB ROM, 1MP Binocular Camera
Operation System	Linux
Access Control Interface	3rd Party Electric Lock, Door Sensor, Exit Button
Optional Functions	125KHz ID Card (EM), Battery Backup, Cable Box for Battery Installation and Storage
Biometrics Algorithms	ZKFace 3.5
Facial Recognition Speed	≤1s
Power Supply	12V 1.5A
Working Humidity	20% to 80%
Working Temperature	0°C to 45°C
Dimensions (W*H*D)	130 * 119 * 28 (mm) / 130*119*55 (mm)
Supported Software	ZKBio CVAccess (T&A)/ZKBio Time

Configuration



Dimensions (mm)

Backplate Mode:



Cable Box Mode:

