

SH-150G

MIXING POWER AMPLIFIER

Schütz



Mixing Power Amplifiers are designed to be highly cost-effective solutions to the demands of PA applications. They offer high levels of performance and versatility and are especially well-suited for broadcasting paging and supplying background music in schools, offices, shops, factories, mosques, churches, and large meeting rooms.

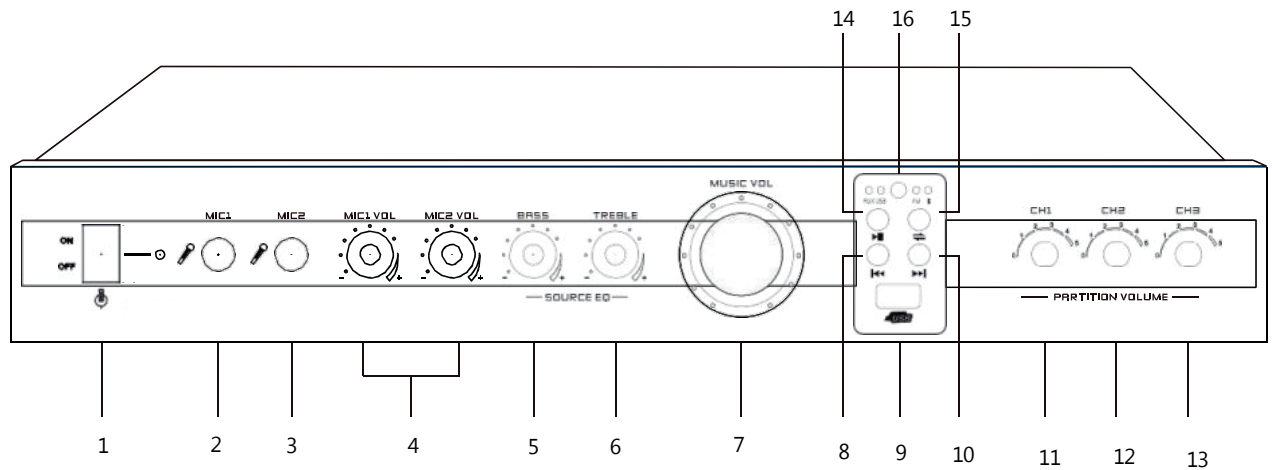
This series supports 100W, 150W, 250W and 350W power options.

Three partition volume independent adjustment, Two-channel input, two-channel microphone.

SPECIFICATIONS

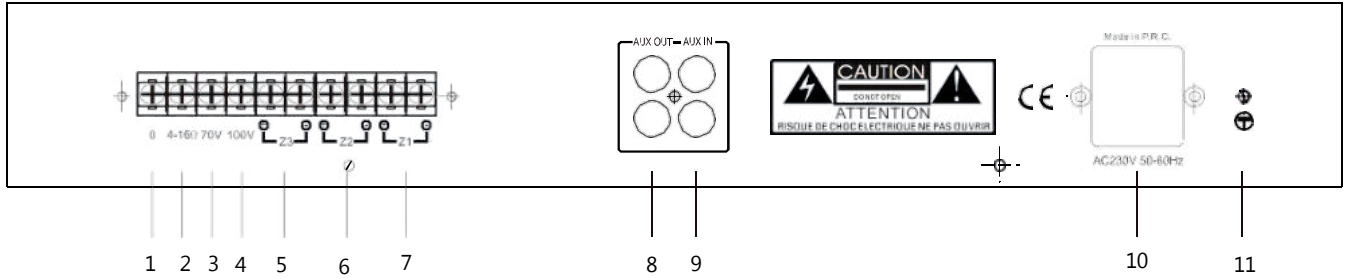
Product Model	SH-150G
MAX Power	150W
Frequency Response	80Hz - 18KHz±2dB
Sensitivity	AUX: -10dB MIC: -52dB
Signal Noise Ratio	≥80 dB
Monitor Output	+4 dB
AC Input	AC 220V±10% 50Hz
Output Mode / Main	4-16Ω / 70V/ 100V
Output Model / 3zones	100V

FRONT PANEL



1. Power Switch
2. MIC1 Input
3. MIC2 Input
4. MIC1-2 Vol Control
5. Bass Vol Control
6. TrebleVol Control
7. Main Vol Control
8. Short Press: Previous Song - Long Press : Turn Down Volume
9. USB Port
- 10.Short Press: Next Song - Long Press : Turn Up Volume
- 11.ZONE1 Vol Control (5-Tier Vol)
- 12.ZONE2 Vol Control(5-Tier Vol)
- 13.ZONE3 Vol Control(5-Tier Vol)
- 14.Short Press: Play/Pause - Switch Long Press : Enable/Disable Mode
- 15.Remote Receiver
- 16.Short Press:Mode Switch - Long Press : MP3 PlayerOff/On

BACK PANEL



1. COM
2. 4-16Ω SPK OUTPUT
3. 70V SPK OUTPUT
4. 100V SPK OUTPUT
5. ZONE1 100V SPK OUT
6. ZONE2 100V SPK OUT
7. ZONE3 100V SPK OUT
8. LINE OUTPUT
9. LINE INPUT
10. POWER PLUG (Built-in FUSE)
11. GROUND BOLT

CONNECT AND OPERATE

1. Please confirm the power supply voltage is in conformity with the machine.
2. Please turn off the power when connect input and output.
3. Please confirm the speaker load is in conformity with the machine.
4. Turn down the main volume when turn on the power.