

SH-60-2Z

MIXING AMPLIFIER

Schütz



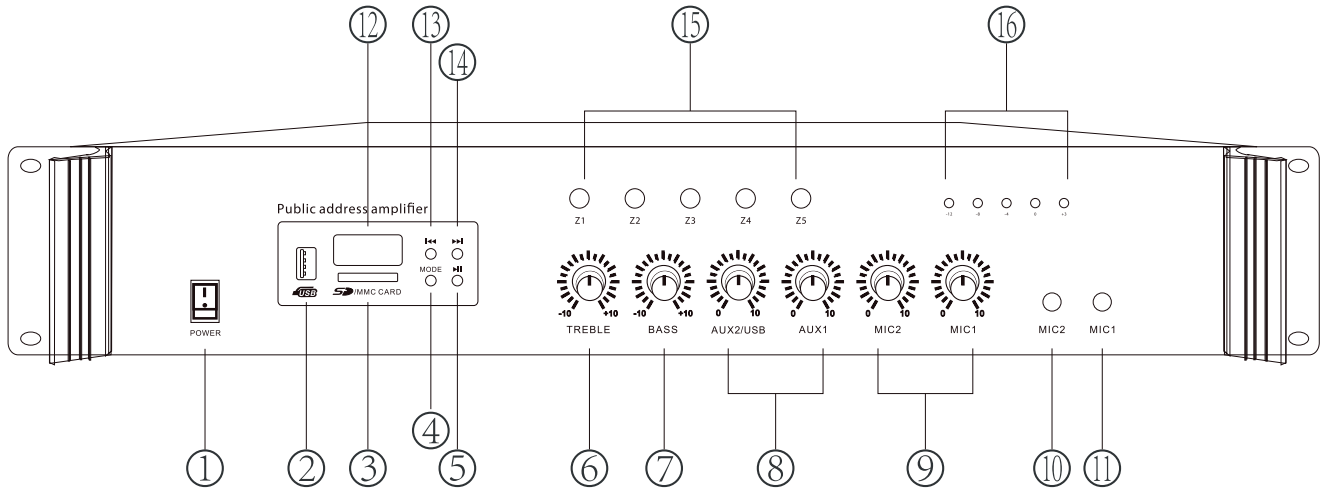
The products includes pre-amplifier so you can directly connect the sound source and play it! The amplifier has Outputs: main 4-16ohm/70V/100V, 5 Zones 100V and Inputs: 2 AUX Inputs, 2 MIC Inputs with Microphone Priority, USB/SD Card, etc. Both of the 5 Zones, 2 AUX, 2 MIC, USB/SD and Bass/Treble Volume can be controlled individually.

This Amplifier have simple over-current protection.

SPECIFICATIONS

Product Model	SH-60-2Z
Rated Power	60W
Frequency Response	80Hz -18KHz±2dB
Sensitivity	AUX: -10dB MIC: -52dB
Signal Noise Ratio	≥80 dB
Monitor Output	+4 dB
AC Input	AC 220-240V 50-60Hz
Output Mode / Main	4 -16Ω /70V/ 100V
Output Mode / 5 zones	100V

FRONT PANEL



1. Power Switch

2. USB Port

3. SD Card Port

4. Short Press: Mode Switch

Long Press: MP3 Player Off/On

5. Play/Pause Switch

6. Treble Volume Control

7. Bass Volume Control

8. Aux Volume Control

9. MIC1/2 Volume Control

10. MIC2 Input

11. MIC1 Input

12. Label

13. Short Press: Previous Song

Long Press: Turn Down Volume

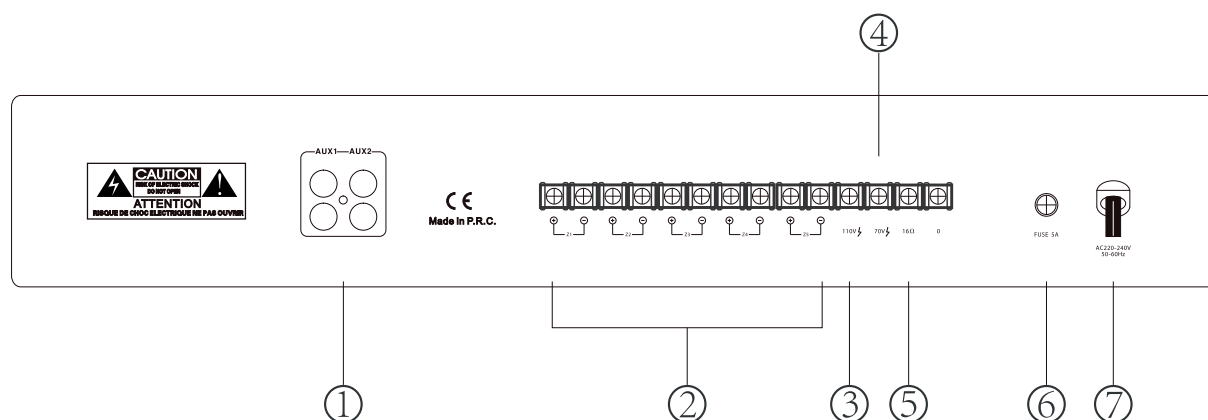
14. Short Press: Next Song

Long Press: Turn Up Volume

15. 5 Zones with Switches

16. Output Level LED

BACK PANEL



1. Aux-1/Aux-2 6.35 Phone Jack Input

2. Zone-1/.../Zone-5 100V SPK Output

3. Main 100V SPK Output

4. Main 70V SPK Output

5. 4-16ohm SPK Output

6. Fuse

7. Power Plug

CONNECT AND OPERATE

- * Please confirm the power supply voltage is in conformity with the machine.
- * Please turn off the power when connect input and output.
- * Please confirm the speaker load is in conformity with the machine.
- * Turn down the main volume when turn on the power.